

Product: Appliance cables and connectors suitable for a wide range of Hatteland Technology products

Type: DSUB, DVI, DP, HDMI, Power, Serial, Adapters, BNC

Last Revised: 14 Feb 2023
Revision#: 16

Description:

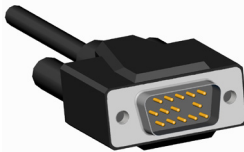
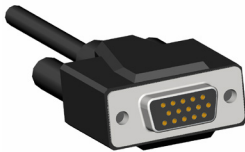
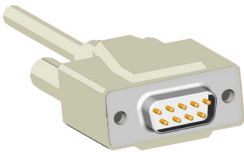
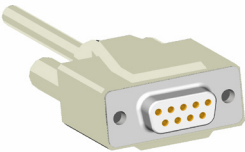
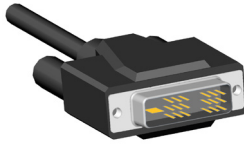
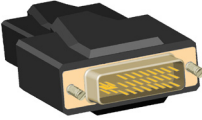



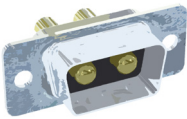




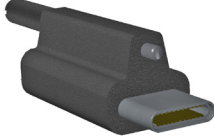
This data sheet show our range of high quality appliance cables and adapters, such as signal cables (VGA / DVI / DisplayPort (DP), HDMI), Touchscreen and power cables. These are either delivered with our products or can be purchased later. This data sheet also cover pinout description and in-depth technical information for the standard cables / adapters where available.

Items in this datasheet are suitable for Maritime Multi Displays, Maritime Multi Computers and Computers. Custom solutions and variations of the specific items, such as greater length or a mix between the standard connectors for extensions purposes (like BNC-female to BNC-male) and more can also be delivered on demand.

Contents of this Datasheet:

| Topic / Typenumbers | Type Number | Page |
|--|------------------------------|---------|
| Standard VGA signal Cable | HA-VGA-2M-32 | Page 2 |
| Standard DVI Signal Cable | HA-SDM-2M | Page 3 |
| Standard VGA to BNC Signal Cable | CD075414JHC00FMB-D | Page 4 |
| Touch Screen / Serial Cable | EK131.2 | Page 5 |
| Power Cable (230VAC) | TP52/TC01-1,8M | Page 6 |
| Power Cable (115VAC) | TP11/TC01-1,8M | Page 7 |
| DC Power Input Connector | FCE17-E2W2SS-2N0 | Page 8 |
| DC Power Input Connector housing | L17DPPK09JSU (cover) | Page 9 |
| DVI to RGB/VGA Adapter | DVI-4 | Page 10 |
| DVI to RGB/VGA Adapter | DV02-SK | Page 11 |
| DP to DP (DisplayPort 1.2) Signal Cable | VSD101004-1 | Page 12 |
| HDMI to HDMI Signal Cable | C-HM/HM-6 | Page 13 |
| DP to DVI Adapter Cable | RC3473 / HT DPM2DVI-DF-A1 | Page 14 |
| DP to VGA Adapter Cable | VSDDPVGA340 / HT DPM2VGAF-A1 | Page 15 |
| Adapter Right Angle (90°) DVI Male to Female | DVI-I Adapter | Page 16 |
| Right Angled IEC Adapter, Down Angled IEC 320 C14 to C13 Adapter | IEC Power Adapter | Page 17 |
| 2m USB-C (male) extension cable for 4K@24b@60Hz | VSD203453-1 | Page 18 |

Common Gender Types:

| 15 Pin DSUB - MALE | 15 Pin DSUB - FEMALE | 9 Pin DSUB - MALE | 9 Pin DSUB - FEMALE |
|---|---|--|---|
|  |  |  |  |
| 18+1 Pin DVI-D - MALE | 24+5 Pin DVI-I - MALE | 24+5 Pin DVI-I - FEMALE | 5 x BNC - FEMALE |
|  |  |  |  |
| DisplayPort (DP) 20P Male | 2 Pin DSUB - MALE | 230V Eur Standard - MALE | 110V US Standard - MALE |
|  |  |  |  |
| 230V / 115V - FEMALE | HDMI 19P Male | USB-C 24P Male | |
|  |  |  | |

Product: **Appliance cables and connectors suitable for a wide range of Hatteland Technology products**

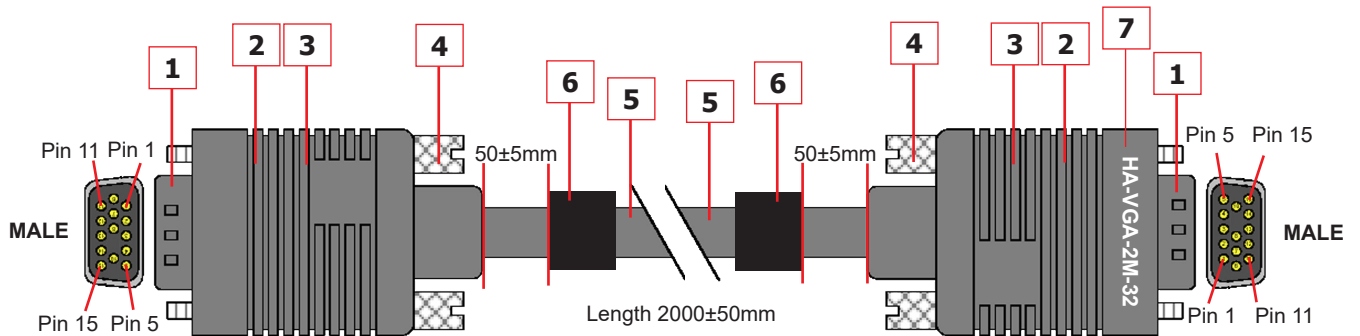
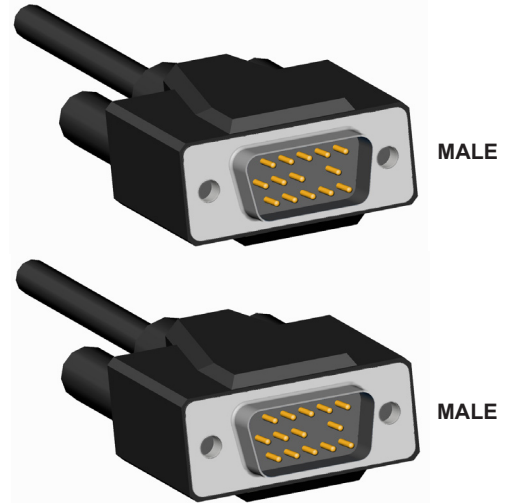
Type: **DSUB, DVI, DP, HDMI, Power, Serial, Adapters, BNC**

Last Revised: **14 Feb 2023**
Revision#: **16**

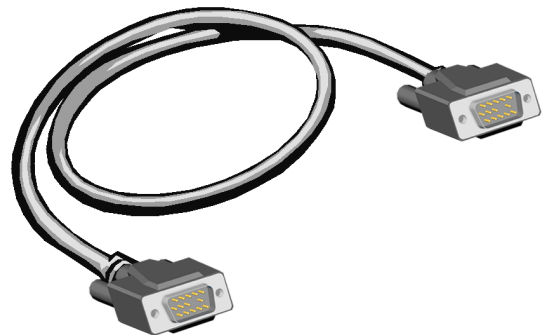
HA-VGA-2M-32

Standard VGA 15-pin Male Signal Cable. All material are RoHS and California Prop.65 compliant. Leadfree.

| DSUB MALE PIN > | Description | < DSUB MALE PIN |
|-------------------|---------------------------|-------------------|
| 1 | RED | 1 |
| 2 | GREEN | 2 |
| 3 | BLUE | 3 |
| 6 | RED SPIRAL | 6 |
| 7 | GREEN SPIRAL | 7 |
| 8 | BLUE SPIRAL | 8 |
| 5 | WHITE | 5 |
| 10 | | 10 |
| 4 | ORANGE | 4 |
| 11 | VIOLET | 11 |
| 12 | GREEN | 12 |
| 13 | BLACK | 13 |
| 14 | BROWN | 14 |
| 15 | YELLOW | 15 |
| ----- SHELL ----- | ----- OVERALL BRAID ----- | ----- SHELL ----- |



| Item | Description |
|------|---|
| 1 | 2 x HD15 DSUB MALE (pin 9 removed) |
| 2 | 2 x Black Molded PVC Hood |
| 3 | 2 x PAT. NO:US 6,287,148 B1 RF-BLOK™ Shielding metal can. |
| 4 | 4 x Black #4/40 Thumbscrew |
| 5 | UL20276 (32AWG Foam skin mini-coaxial w/spiral) +Copper foil overall shield x3C+(28AWG)x7C+Drain +AL-Foil+85% braid overall; black pvc jacket OD=ø5.0mm |
| 6 | 2 x Black molded ferrite core (14.2x28.5x8mm) |
| 7 | 1 x White color pad print: "HA-VGA-2M-32" (Hatteland Technology typenumber) |



Product: **Appliance cables and connectors suitable for a wide range of Hatteland Technology products**

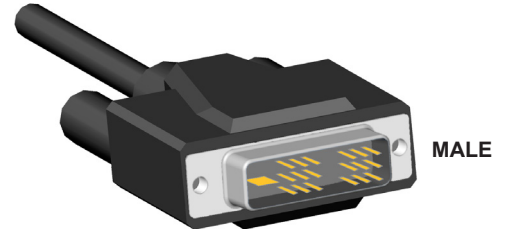
Type: **DSUB, DVI, DP, HDMI, Power, Serial, Adapters, BNC**

Last Revised: **14 Feb 2023**
Revision#: **16**

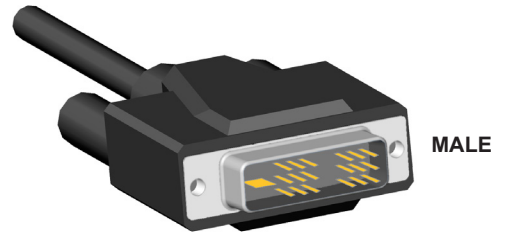
HA-SDM-2M

Standard DVI-D 18+1pin Male Signal Cable (Single Link Digital). All material are RoHS and California Prop.65 compliant. Leadfree.

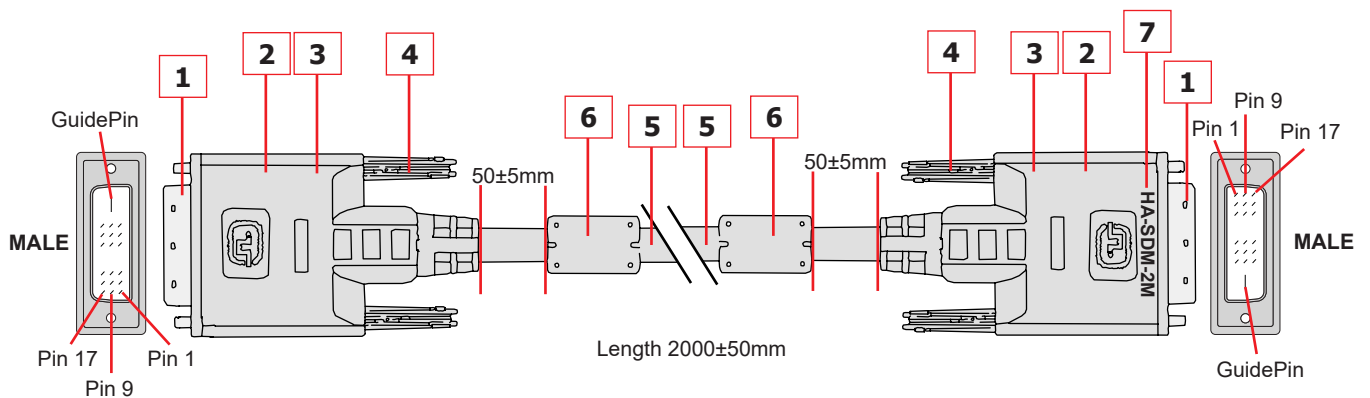
| DVI-D MALE PIN > | Description | < DVI-D MALE PIN |
|------------------|-------------------------|------------------|
| 1 | TMDS DATA 2- | 1 |
| 2 | TMDS DATA 2+ | 2 |
| 3 | TMDS DATA 2 SHIELD | 3 |
| 6 | DDC CLOCK | 6 |
| 7 | DDC DATA | 7 |
| 9 | TMDS DATA 1- | 9 |
| 10 | TMDS DATA 1+ | 10 |
| 11 | TMDS DATA 1 SHIELD | 11 |
| 14 | POWER +5V | 14 |
| 15 | GROUND (+5V & HV SYNC.) | 15 |
| 16 | HOT PLUG DETECT | 16 |
| 17 | TMDS DATA 0- | 17 |
| 18 | TMDS DATA 0+ | 18 |
| 19 | TMDS DATA 0 SHIELD | 19 |
| 22 | TMDS CLOCK SHIELD | 22 |
| 23 | TMDS CLOCK+ | 23 |
| 24 | TMDS CLOCK- | 24 |



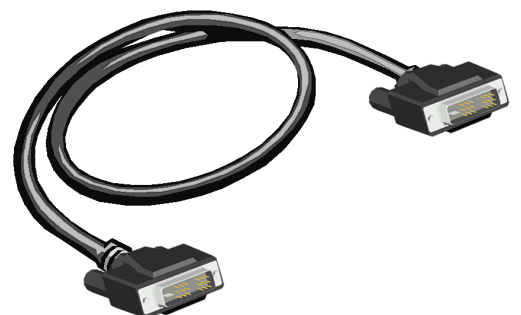
MALE



MALE



| Item | Description |
|------|---|
| 1 | 2 x DVI Male connector (18+1) |
| 2 | 2 x Black Molded PVC Hood |
| 3 | 2 x PAT. NO:US 6,287,148 B1 RF-BLOK™ Shielding metal can. |
| 4 | 4 x Black #4/40 Thumbscrew (slot) |
| 5 | UL20276 (28AWG x 1Pair+AL-FOIL+DRAIN) x 4C +(28AWG wire) x 5c +AL-FOIL/MY+Braid Overall; Black PVC Jacket |
| 6 | 2 x Black molded ferrite core (14.2x28.5x8mm) |
| 7 | 1 x White color pad print: "HA-SDM-2M" (Hatteland Technology typenumber) |



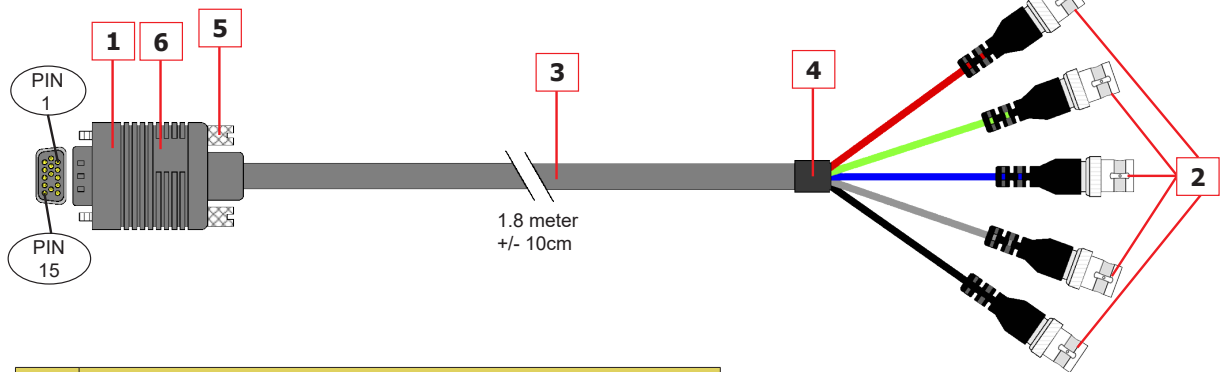
| | |
|----------|---|
| Product: | Appliance cables and connectors suitable for a wide range of Hatteland Technology products |
| Type: | DSUB, DVI, DP, HDMI, Power, Serial, Adapters, BNC |

| | |
|---------------|--------------------|
| Last Revised: | 14 Feb 2023 |
| Revision#: | 16 |

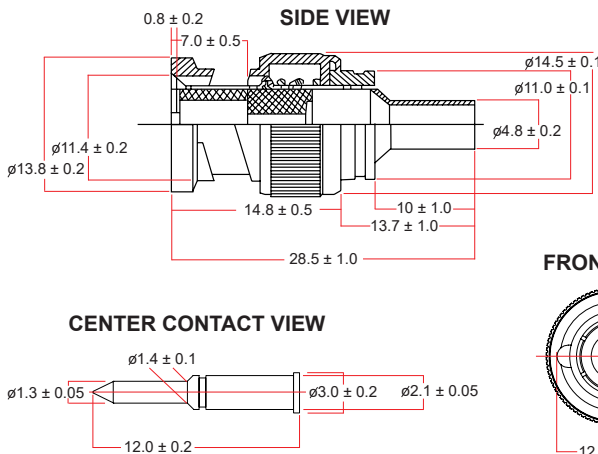
CD075414JHC00FMB-D

Standard VGA 15-pin Male to 5-pin BNC Female Signal Cable. All material are RoHS compliant. Leadfree. Not 461E Approved.

| 15P DSUB PIN > | Description | < BNC |
|----------------|------------------------|--------------|
| 1 | INNER CORE RED COAX | RED |
| 2 | INNER CORE GREEN COAX | GREEN |
| 3 | INNER CORE BLUE COAX | BLUE |
| 4 | LINK TO OVERALL BRAID | Screen |
| 5 | NO CONNECTION | |
| 6 | LINK TO OVERALL BRAID | Screen |
| 7 | LINK TO OVERALL BRAID | Screen |
| 8 | LINK TO OVERALL BRAID | Screen |
| 9 | NO PIN / NO CONNECTION | |
| 10 | LINK TO OVERALL BRAID | Screen |
| 11 | LINK TO OVERALL BRAID | Screen |
| 12 | NO CONNECTION | |
| 13 | INNER CORE GRAY COAX | GREY |
| 14 | INNER CORE BLACK COAX | BLACK |
| 15 | NO CONNECTION | |



| Item | Description |
|------|---|
| 1 | 1 x HD15 DSUB MALE, Molded PVC Hood, w/screw, black color |
| 2 | 5 x BNC FEMALE, Molded, w/screw, black color |
| 3 | 1 x UL2919 5 Coaxial, Cable, Black Jacket Color |
| 4 | 1 x Heat Shrink Tube ULØ9x20mm, Black Color |
| 5 | 2 x Black #4/40 Thumbscrew |
| 6 | 1 x PAT. NO:US 6,287,148 B1 RF-BLOK™ Shielding metal can. |



| Housing Material and Finish | |
|-----------------------------|----------------------------|
| Body | Brass, nickel plated |
| Spring | Steel spring |
| Gasket | Metal plate, nickel plated |
| Crimp Ferrule | Brass, nickel plated |
| Center Body | Brass, nickel plated |
| Center Contact | Brass, nickel plated |
| Insulator | POM |

This information may not, in whole or in part, be copied, photocopied, reproduced, translated or reduced to any electronic medium or machine-readable form without the prior written consent of Hatteland Technology AS. The products may not be copied or duplicated in any way.

Dimensions might be shown with or without decimals and indicated as mm [inches]. Tolerance on drawings is +/- 1mm. For accurate measurements, check relevant DWG file.

Product: **Appliance cables and connectors suitable for a wide range of Hatteland Technology products**

Type: **DSUB, DVI, DP, HDMI, Power, Serial, Adapters, BNC**

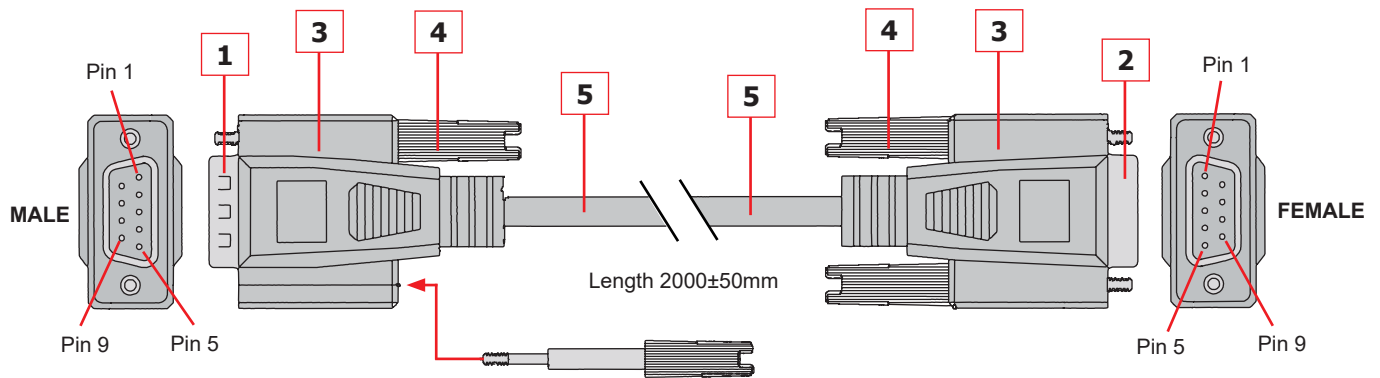
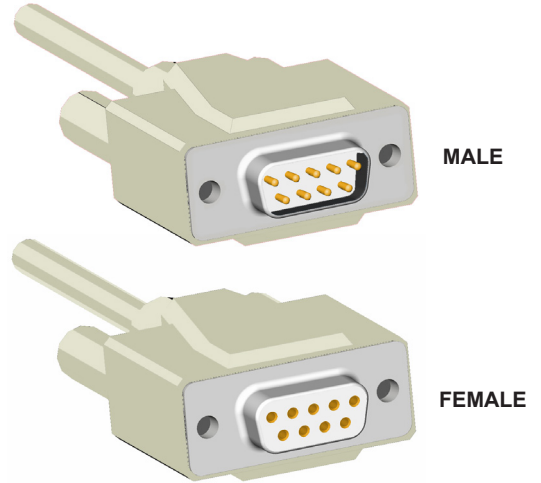
Last Revised: **14 Feb 2023**
Revision#: **16**

EK131.2

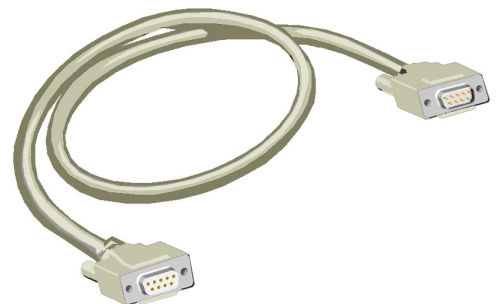
Standard Touchscreen/Serial (RS-232/RS-422/RS-485) 9-pin DSUB Male to Female Cable.

| DSUB MALE PIN > | Description | < DSUB FEMALE PIN |
|-----------------|-------------|-------------------|
| 1 | ----- | 1 |
| 2 | ----- | 2 |
| 3 | ----- | 3 |
| 4 | ----- | 4 |
| 5 | ----- | 5 |
| 6 | ----- | 6 |
| 7 | ----- | 7 |
| 8 | ----- | 8 |
| 9 | ----- | 9 |

For actual functionality of each pin, please review appropriate user manual for complete details and specification of signals transferred as factory and/or industrial standards may differ.



| Item | Description |
|------|--|
| 1 | 1 x DB9 MALE DSUB, Nickel Plated |
| 2 | 1 x DB9 FEMALE DSUB, Nickel Plated |
| 3 | 2 x Out Molded PVC, Color Beige |
| 4 | 4 x #4/40UNC, E32 Thumbscrew |
| 5 | Cable: AWG28,9C+1+AL/MY,0,D:5.0, Color Beige |



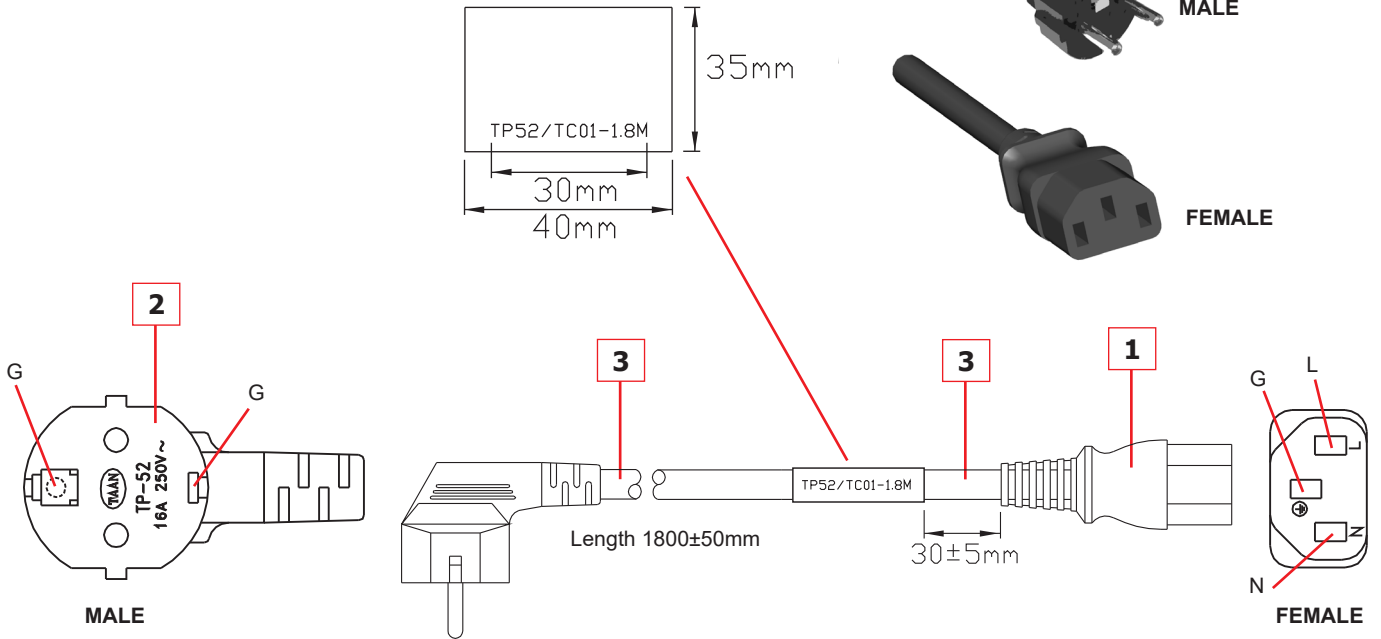
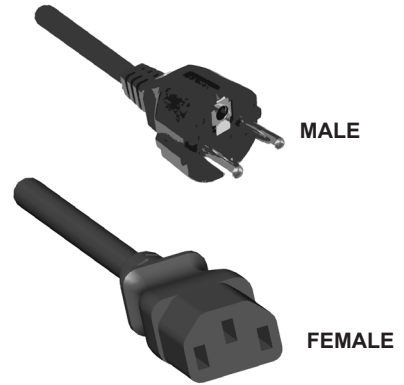
| | |
|----------|---|
| Product: | Appliance cables and connectors suitable for a wide range of Hatteland Technology products |
| Type: | DSUB, DVI, DP, HDMI, Power, Serial, Adapters, BNC |

| | |
|---------------|--------------------|
| Last Revised: | 14 Feb 2023 |
| Revision#: | 16 |

TP52/TC01-1,8M

Standard 230VAC Power Cable with grounding. European Type F "Schuko" to IEC.

| Schuko MALE PIN > | Description | < IEC FEMALE PIN |
|-------------------|---------------------|------------------|
| G | Ground (Green Wire) | G |



| Item | Description |
|------|--|
| 1 | 1 x TC-01 IEC 320 C13 Black. 10A 250V. |
| 2 | 1 x TP-52 CEE 7 SCHUKO Right Angle Plug Black. 16A 250V. |
| 3 | Cable: 3x0.75mm ² Black PVC (VDE H05VV-F). |



Product: **Appliance cables and connectors suitable for a wide range of Hatteland Technology products**

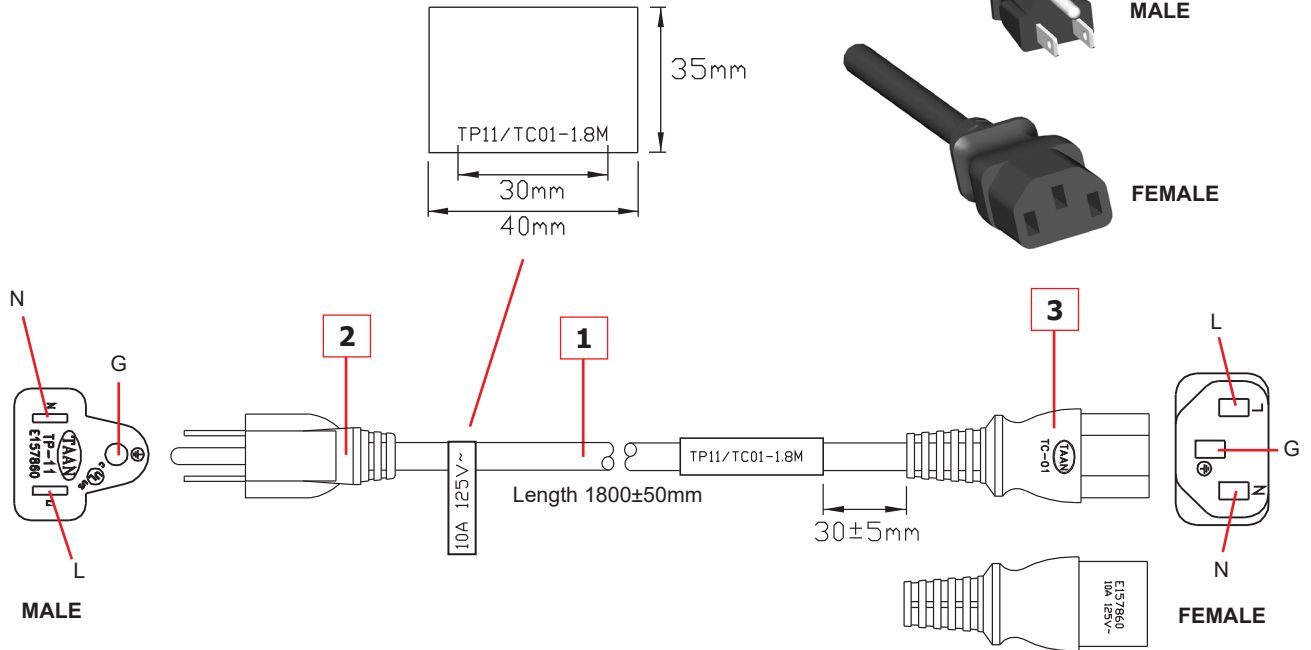
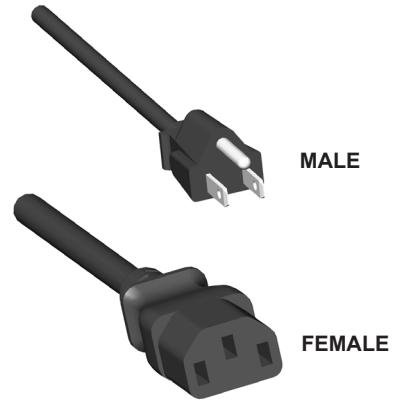
Type: **DSUB, DVI, DP, HDMI, Power, Serial, Adapters, BNC**

Last Revised: **14 Feb 2023**
Revision#: **16**

TP11/TC01-1,8M

Standard 115VAC Power Cable with grounding. US Type to IEC.

| US MALE PIN > | Description | < IEC FEMALE PIN |
|---------------|----------------------|------------------|
| N | Neutral (White Wire) | N |
| G | Ground (Green Wire) | G |
| L | Live (Black Wire) | L |



| Item | Description |
|------|--|
| 1 | Cable: 1 x SVT 18/3C 105°C Black. |
| 2 | 1 x TP-11 NEMA 5-15P PVC Plastic Black |
| 3 | 1 x TC-01 IEC 320 C13 10A 125V PVC Plastic Black |



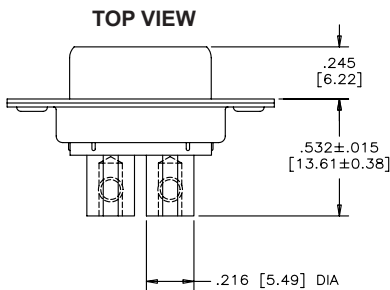
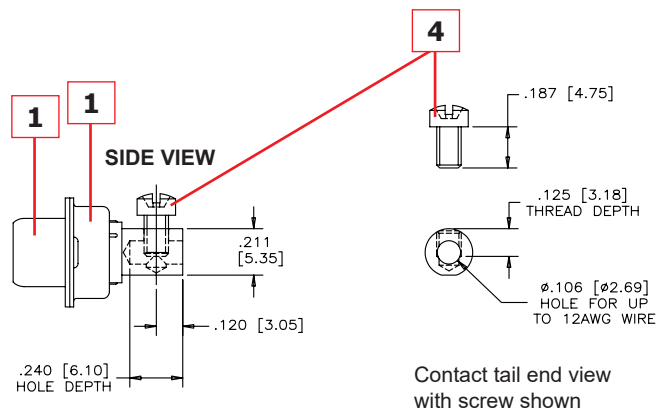
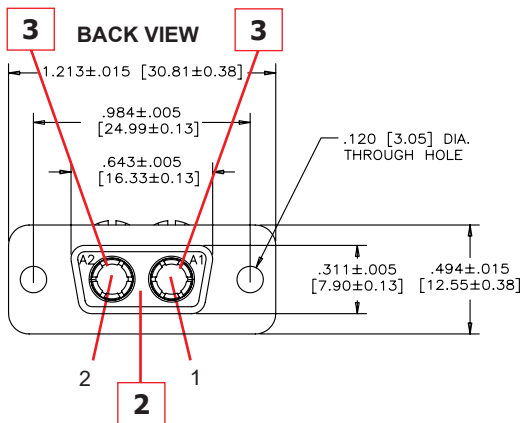
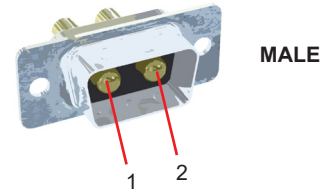
| | |
|----------|---|
| Product: | Appliance cables and connectors suitable for a wide range of Hatteland Technology products |
| Type: | DSUB, DVI, DP, HDMI, Power, Serial, Adapters, BNC |

| | |
|---------------|--------------------|
| Last Revised: | 14 Feb 2023 |
| Revision#: | 16 |

FCE17-E2W2SS-2N0

2-pin DSUB DC Power Input male plug with screw terminal, suitable for L17DPPK09JSU-BP. FCE17 Series Combo D-SUB connector, 2W2 arrangement, socket power contacts, screw termination for 12AWG wire, through hole mounting, non-filtered. All materials are RoHS compliant per EU directive 2002/95/EC and amendments.

| PIN | Description |
|-----|---------------------|
| 1 | Positive + Polarity |
| 2 | Negative - Polarity |



| Item | Description |
|------|--|
| 1 | 1 x Shell: Stamped steel, tin plated. |
| 2 | 1 x Insert: High temperature resistant thermoplastic, glass reinforced, flammability rating ULV94V-0, Black. |
| 3 | 2 x Contacts: Copper Alloy, 30µ" [0.76 Microns] gold plated over 50µ" [1.27 Microns] minimum nickel. Contact Resistance: 5 milliohm max. Current Rating: 20 amperes max. Insulation Resistance: 3000 megaohms min. |
| 4 | 2 x Screws: Steel, nickel or zinc plated or stainless steel. Connector supplied with 2 screws installed. #4-40 UNC Screw, round, pan or fillister head, Phillips/slotted drive |

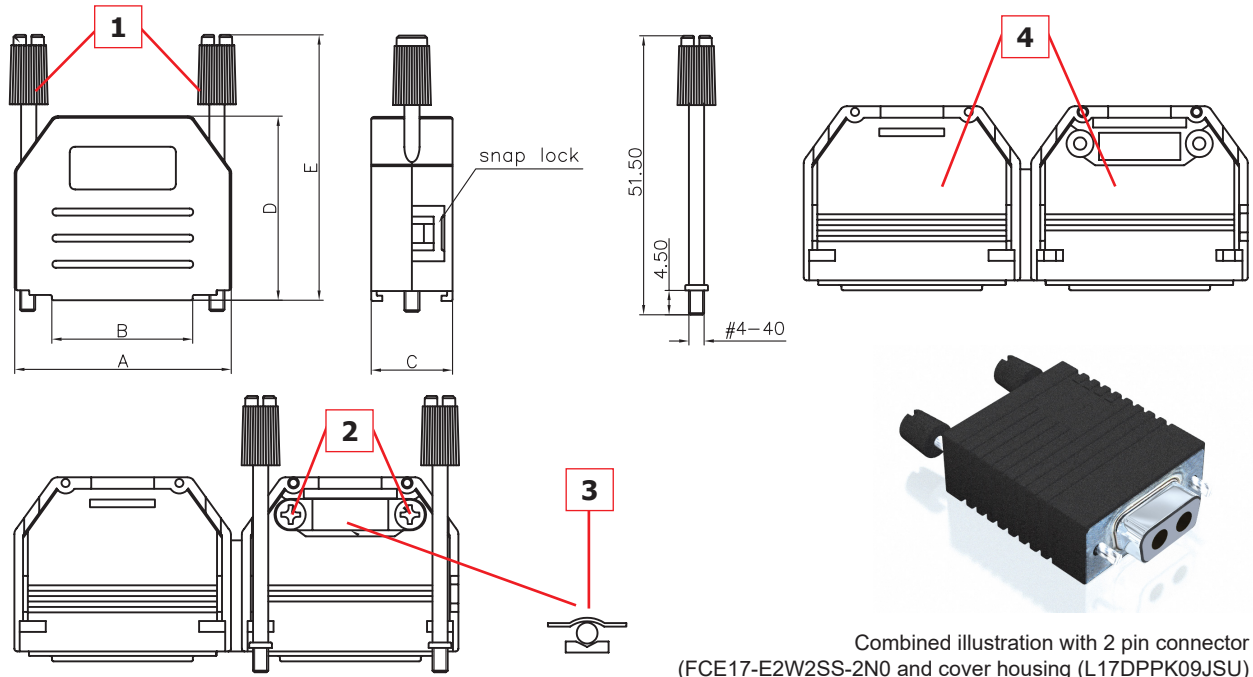
Product: **Appliance cables and connectors suitable for a wide range of Hatteland Technology products**

Type: **DSUB, DVI, DP, HDMI, Power, Serial, Adapters, BNC**

Last Revised: **14 Feb 2023**
Revision#: **16**

L17DPPK09JSU-BP

DSUB Plastic housing suitable for FCE17-E2W2SS-2N0. RoHS compliant. Temperature Range: -40°C to 120°C.
Attenuation factor: >40 dB between 30 MHz and 1 GHz.



Combined illustration with 2 pin connector (FCE17-E2W2SS-2N0 and cover housing (L17DPPK09JSU))

| Item | Description |
|------|---|
| 1 | 2 x Thumb screws: Steel shaft with plastic top knob, blue chromate plated |
| 2 | 2 x Screws: Steel, blue chromate polated, Phillips head (ø5.50mm), 8mm length |
| 3 | 1 x Strain relief: Steel, blue chromate plated cable clamp with self-tapping screws |
| 4 | 1 x Cover/Shell/Housing: Thermoplastic, UL94-V0 color black |

| ID | Measurements |
|----|--------------|
| A | 31.5mm |
| B | 18mm |
| C | 15mm |
| D | 34mm |
| E | 49mm |

Product: **Appliance cables and connectors suitable for a wide range of Hatteland Technology products**

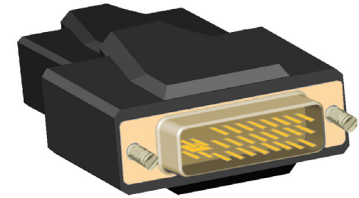
Type: **DSUB, DVI, DP, HDMI, Power, Serial, Adapters, BNC**

Last Revised: **14 Feb 2023**
Revision#: **16**

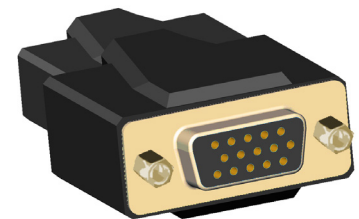
DVI-4

DVI-I (12+5) Single Link Male to RGB/VGA (15-pin HD D-SUB female) signal adapter. RoHS Compliant.
Max 1920x1200@60Hz resolution

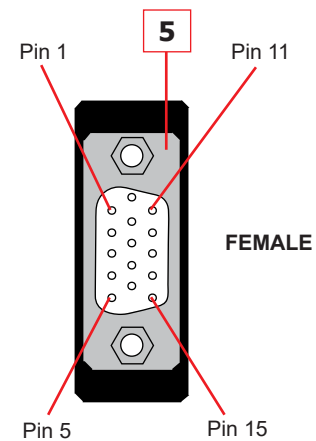
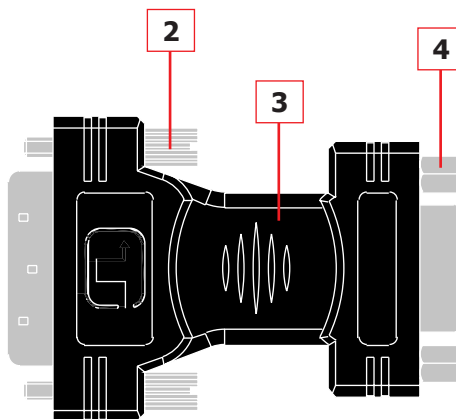
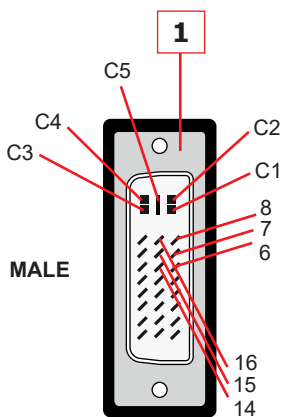
| DVI MALE PIN > | Description | < HD15 FEMALE PIN |
|--|--|-------------------|
| C1 | Analog Red | 1 |
| C2 | Analog Green | 2 |
| C3 | Analog Blue | 3 |
| C4 | Analog Horizontal Sync. | 13 |
| C5 | Analog Ground (return for R, G, B signals) | 6, 7, 8 |
| 8 | Analog Vertical Sync. | 14 |
| 7 | DDC Data | 12 |
| 6 | DDC Clock | 15 |
| 14, 16 | +5 Power (for standby mode) | 9 |
| 15 | Digital Ground (for +5V and analog sync.) | 10, 5 |
| 1,2,3,4,5,9,10,11,12,13,17,18,19,21,22,23,24 | DIGITAL ONLY | NOT CONNECTED |
| SHIELD ----- | ----- SHIELD ----- | ----- SHIELD |



MALE



FEMALE



| Item | Description |
|------|--|
| 1 | 1 x Connector DVI (12+5) Male Pins with gold plated. Insulator:Black |
| 2 | 2 x Thumb Screws #4-40 UNC Type |
| 3 | 1 x Hood PVC Molded Color Black |
| 4 | 2 x HEX NUT #4-40 UNC Type |
| 5 | 1 x HD15 Female connector with nickel plated. Insulator: Black |



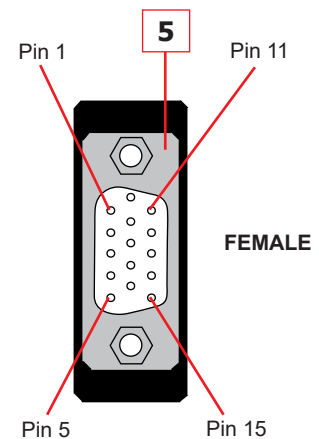
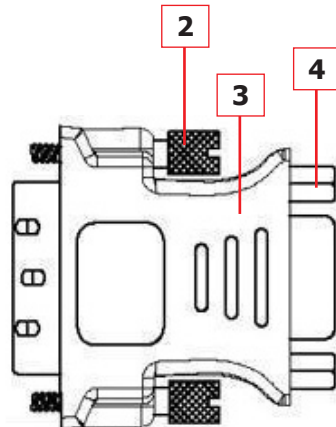
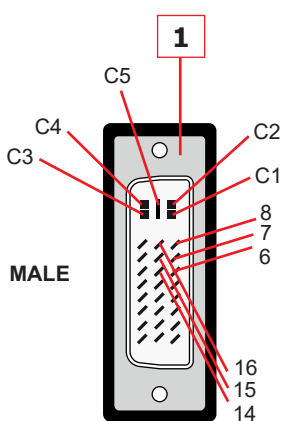
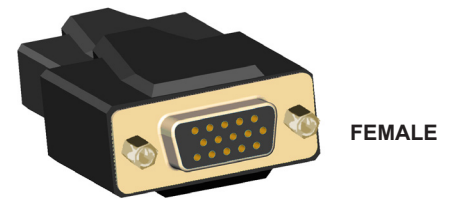
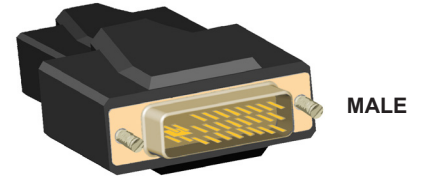
| | |
|----------|---|
| Product: | Appliance cables and connectors suitable for a wide range of Hatteland Technology products |
| Type: | DSUB, DVI, DP, HDMI, Power, Serial, Adapters, BNC |

| | |
|---------------|--------------------|
| Last Revised: | 14 Feb 2023 |
| Revision#: | 16 |

DV02-SK

DVI-I (12+5) Single Link Male to RGB/VGA (15-pin HD D-SUB female) signal adapter. RoHS Compliant.
Max 1920x1200@60Hz resolution

| DVI MALE PIN > | Description | < HD15 FEMALE PIN |
|--|--|-------------------|
| C1 | Analog Red | 1 |
| C2 | Analog Green | 2 |
| C3 | Analog Blue | 3 |
| C4 | Analog Horizontal Sync. | 13 |
| C5 | Analog Ground (return for R, G, B signals) | 6, 7, 8 |
| 8 | Analog Vertical Sync. | 14 |
| 7 | DDC Data | 12 |
| 6 | DDC Clock | 15 |
| 14, 16 | +5 Power (for standby mode) | 9 |
| 15 | Digital Ground (for +5V and analog sync.) | 10, 5 |
| 1,2,3,4,5,9,10,11,12,13,17,18,19,21,22,23,24 | DIGITAL ONLY | NOT CONNECTED |
| SHIELD ----- | ----- SHIELD ----- | ----- SHIELD |



| Item | Description |
|------|---|
| 1 | 1 x Connector DVI (12+5) Male Pins. Contact gold. Insulator:Black |
| 2 | 2 x Thumb Screws #4-40 UNC Type. Nickel plated. |
| 3 | 1 x Hood PVC Molded Color Black |
| 4 | 2 x HEX NUT #4-40 UNC Type |
| 5 | 1 x HD15 Female connector. Contact gold. Insulator: Black |



Product: **Appliance cables and connectors suitable for a wide range of Hatteland Technology products**

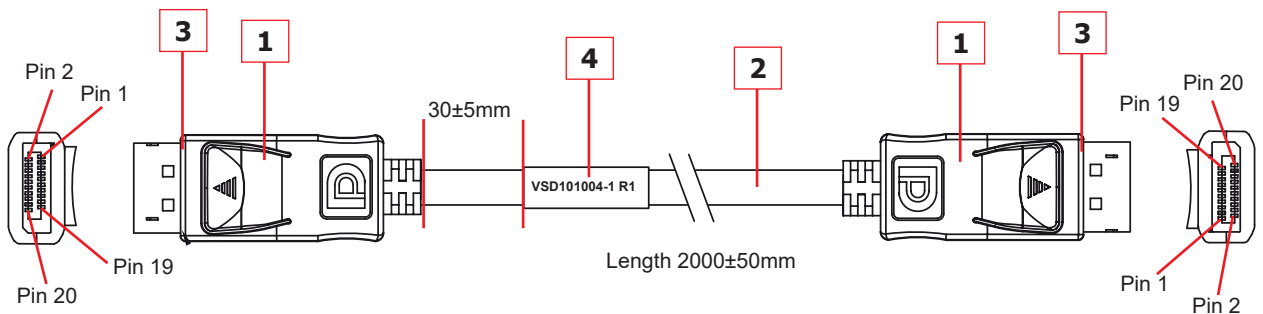
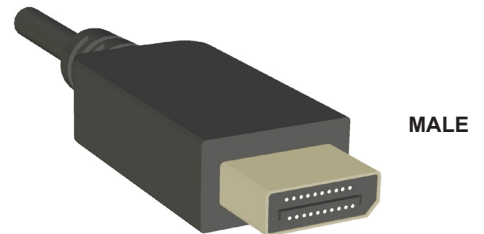
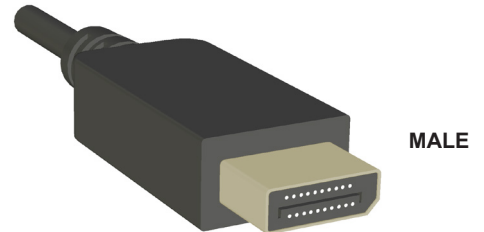
Type: **DSUB, DVI, DP, HDMI, Power, Serial, Adapters, BNC**

Last Revised: **14 Feb 2023**
Revision#: **16**

VSD101004-1

Standard DisplayPort (DP) to DisplayPort (DP) Signal Cable. DP 20P Male to DP 20P Male. All material are RoHS compliant. Leadfree. Support HBR2 (Capability of transferring 21.6 Gbps). Compliant with DisplayPort 1.2.

| | DP MALE PIN > | Description | < DP MALE PIN |
|-----------------|---------------|---------------------|---------------|
| Twisted Pair #1 | 1 | ML_Lane0 (positive) | 12 |
| | 2 | GND | 11 |
| | 3 | ML_Lane0 (negative) | 10 |
| Twisted Pair #2 | 4 | ML_Lane1 (positive) | 9 |
| | 5 | GND | 8 |
| | 6 | ML_Lane1 (negative) | 7 |
| Twisted Pair #3 | 7 | ML_Lane2 (positive) | 6 |
| | 8 | GND | 5 |
| | 9 | ML_Lane2 (negative) | 4 |
| Twisted Pair #4 | 10 | ML_Lane3 (positive) | 3 |
| | 11 | GND | 2 |
| | 12 | ML_Lane3 (negative) | 1 |
| Twisted Pair #5 | 13 | GND | 13 |
| | 14 | GND | 14 |
| | 15 | AUX CH (positive) | 15 |
| | 16 | GND | 16 |
| | 17 | AUX CH (negative) | 17 |
| | 18 | Hot Plug | 18 |
| | 19 | Return | 19 |
| | 20 | N/C | 20 |
| | Shell | GND/Braid | Shell |



| Item | Description |
|------|---|
| 1 | 2 x DisplayPort Male Connector with lock. PVC: 60P. INSULATION RESISTANCE: 10M ohm Min/300V DC, 10mS. |
| 2 | Shielded twisted pair with drain wire. High Density triple metal shielding. UL20276 (30AWG*IP+D+AL/MYLAR) *5C+30AWG*4C+AEB 6.5FMM |
| 3 | CONDUCTOR RESISTANCE: 2 ohm Max |
| 4 | 1 x White color pad print: "VSD101004-1 R1" (Hatteland Technology typenumber) |



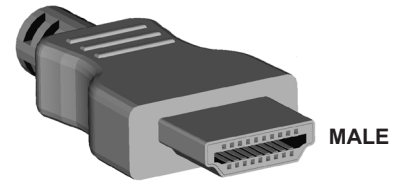
| | |
|----------|---|
| Product: | Appliance cables and connectors suitable for a wide range of Hatteland Technology products |
| Type: | DSUB, DVI, DP, HDMI, Power, Serial, Adapters, BNC |

| | |
|---------------|--------------------|
| Last Revised: | 14 Feb 2023 |
| Revision#: | 16 |

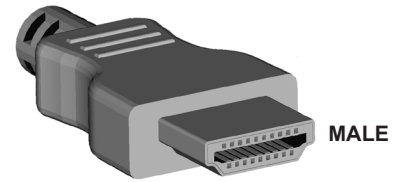
C-HM/HM-6:

Standard High-Speed HDMI 19-pin to HDMI 19-pin Signal Cable. Length 1.8m, 28AWG, Black, 4K Certified. All material are RoHS compliant. Leadfree. It supports signals up to 4K@60Hz (4:4:4), DeepColor, x.v.Color™, Lip Sync, 7.1 PCM, Dolby TrueHD, DTS-HD, CEC.

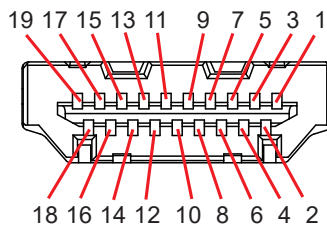
| Feature | Description |
|------------|---|
| Video | Max Resolution for 3–15ft (.9–4.6m) lengths: 4K@60Hz (4:4:4) Max Resolution for 25–35ft (7.6–10.7m) lengths: 1080p-12bit Max Resolution for 50ft (15.2m) lengths: 1080p Max Data Rate for 3–15ft (.9–4.6m) lengths: 18 Gbps Max Data Rate for 25–35ft (7.6–10.7m) lengths: 7.65 Gbps Max Data Rate for 50ft (15.2m) lengths: 4.95Gbps Supported Color Spaces: RGB, YCbCr, xvYCC, Adobe sRGB, sYCC601, BT.2020 HDMI Compliance: HDR, HDCP 2.2, EDID and CEC |
| Audio | Supported Audio Formats: Dolby Digital Plus™, Dolby TrueHD™, DTS-HD Master-Audio™, DVD Audio, SA-CD |
| Physical | HDMI Source: On a male HDMI type A, 24K gold-plated K-Lock connector HDMI Display: On a male HDMI type A, 24K gold-plated K-Lock connector |
| Conductors | Material: Tinned Copper/Bare Copper 3–35ft (.9–10.7m) lengths: 28AWG (7/0.127) 50ft (15.2m) lengths: 26AWG (7/0.160) |
| Screening | Type: Triple shielding |
| Jacket | Material: PVC. Color: Gray. Diameter for 3–35ft (.9–10.7m) lengths: 6.50 ± 0.15mm Diameter for 50ft (15.2m) lengths: 9 ± 0.25 |
| Mechanical | Cable Bending Radius for 3–35ft (.9–10.7m) lengths: 60mm Cable Bending Radius for 50ft (15.2m) lengths: 90mm |
| Electrical | Temperature Rating: 80°C. Voltage Rating: 30V. Conductor Resistance – 28AWG: 237.25Ω/km Conductor Resistance – 26AWG: 148Ω/km MAX. at 20°C (68°F) |
| Standards | Safety: Flammability Rating – CL3/FT4 |
| Compliance | Environmental: RoHS 2011/65/ EU |



MALE



MALE



| Pin # | Description |
|-------|---|
| 1 | TMDS Data2+ |
| 2 | TMDS Data2 Shield |
| 3 | TMDS Data2- |
| 4 | TMDS Data1+ |
| 5 | TMDS Data1 Shield |
| 6 | TMDS Data1- |
| 7 | TMDS Data0+ |
| 8 | TMDS Data0 Shield |
| 9 | TMDS Data0- |
| 10 | TMDS Clock+ |
| 11 | TMDS Clock Shield |
| 12 | TMDS Clock- |
| 13 | CEC |
| 14 | Reserved (HDMI 1.0–1.3a). Utility/HEAC+ (HDMI 1.4+, optional, HDMI Ethernet Channel and Audio Return Channel) |
| 15 | SCL (I ² C Serial Clock for DDC) |
| 16 | SDA (I ² C Serial Data for DDC) |
| 17 | Ground (for DDC, CEC, ARC and HEC) |
| 18 | +5 V (min. 0.055 A) |
| 19 | Hot Plug Detect (all versions). HEAC- (HDMI 1.4+, optional, HDMI Ethernet Channel and Audio Return Channel) |

This information may not, in whole or in part, be copied, photocopied, reproduced, translated or reduced to any electronic medium or machine-readable form without the prior written consent of Hatteland Technology AS. The products may not be copied or duplicated in any way.

Dimensions might be shown with or without decimals and indicated as mm [inches]. Tolerance on drawings is +/- 1mm. For accurate measurements, check relevant DWG file.

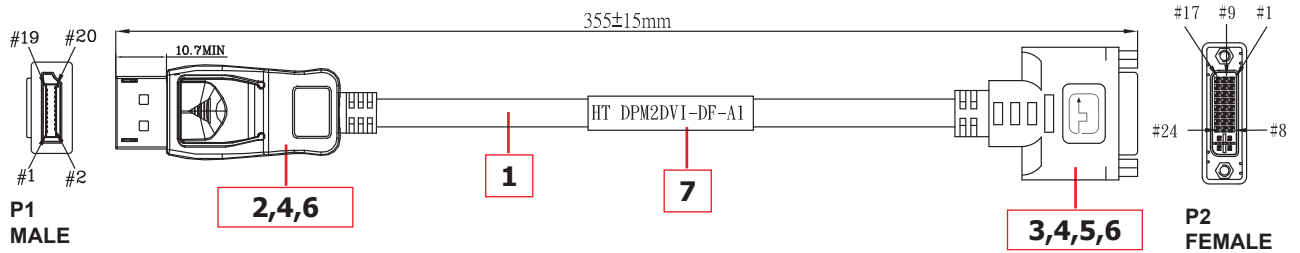
Product: **Appliance cables and connectors suitable for a wide range of Hatteland Technology products**

Type: **DSUB, DVI, DP, HDMI, Power, Serial, Adapters, BNC**

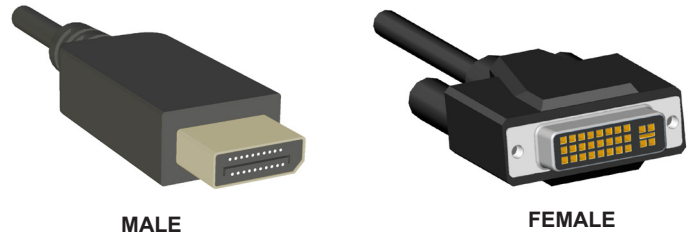
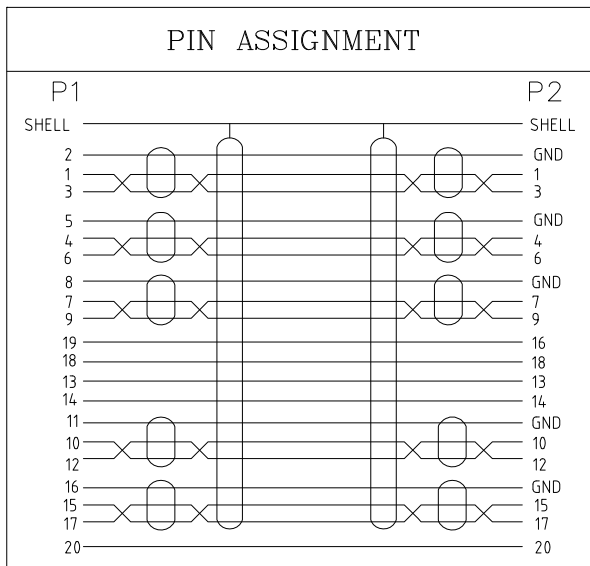
Last Revised: **14 Feb 2023**
Revision#: **16**

RC3473 / HT DPM2DVI-DF-A1:

Standard DP (DisplayPort) 20-pin male to DVI-D 24+5-pin female signal adapter, Black, Length 340mm, All material are RoHS compliant. Note that cable only works One-Way, meaning cable should receive signal in from DisplayPort and would send out to DVI-D and not the other way.



PIN ASSIGNMENT



| Item | Description |
|------|---|
| 1 | 1 x Cable: UL20276 (30#P*1P+DAM)*4C+30#*1P+28#*5C+AB, BLACK |
| 2 | 1 x Connector: DP 20PIN MALE NICKLE PLATED SHELL WITH COVER |
| 3 | 1 x Connector: DVI(24-5) FEMALE WITH NUT |
| 4 | Inner: PE-5321 LDPE |
| 5 | Hood: BLACK PVC 45P MOLDED |
| 6 | COPPER FOIL |
| 7 | 1 x LABEL MARKED: "HT DPM2DVI-DF-A1" |



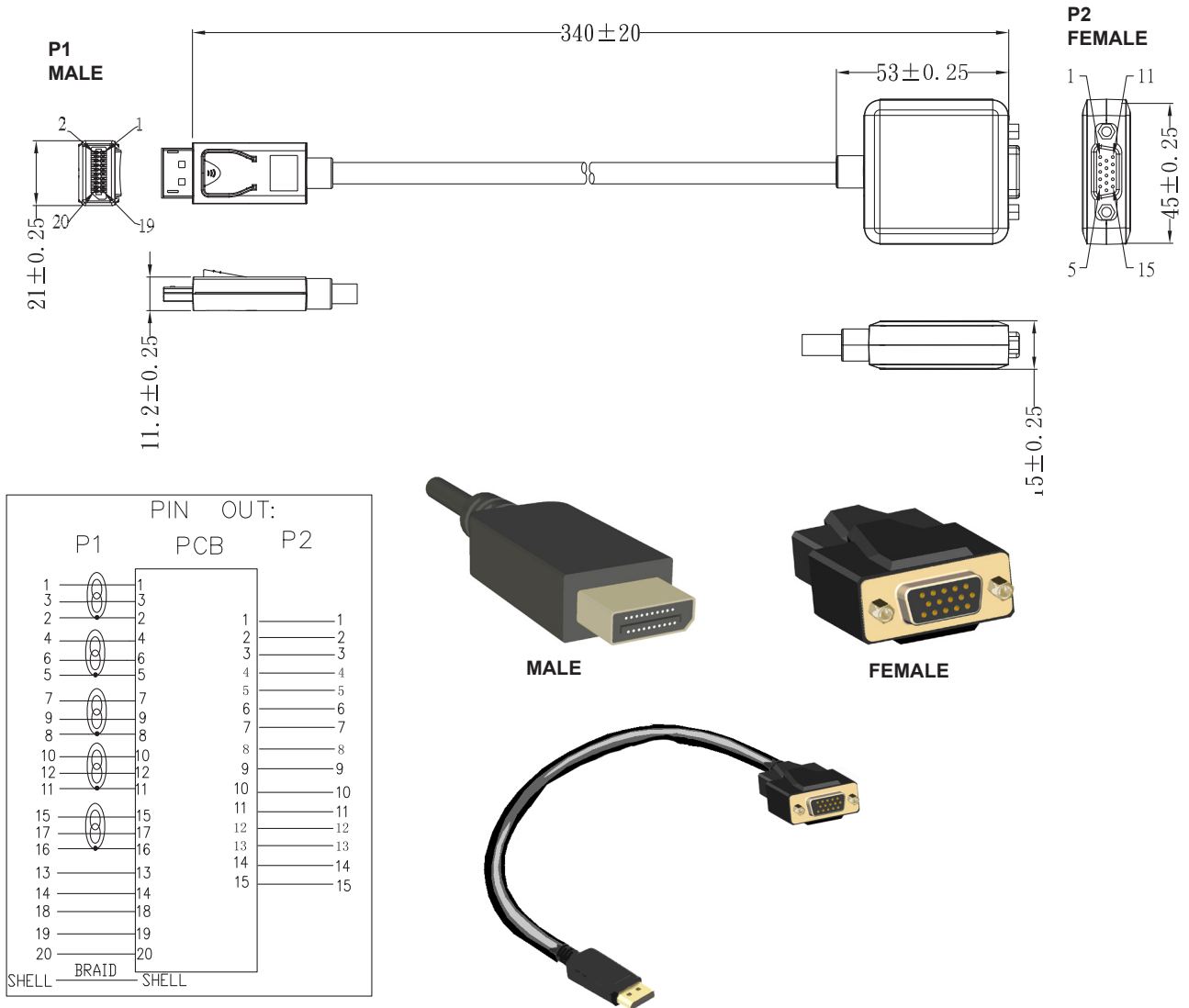
Product: **Appliance cables and connectors suitable for a wide range of Hatteland Technology products**

Type: **DSUB, DVI, DP, HDMI, Power, Serial, Adapters, BNC**

Last Revised: **14 Feb 2023**
Revision#: **16**

VSDDPVGA340 / HT DPM2VGAF-A1 :

Standard DP (DisplayPort) 20-pin male to VGA HDSUB 15-pin female signal adapter, Black, Length 340mm, All material are RoHS compliant. Note that cable only works One-Way, meaning cable should receive signal in from DisplayPort and would send out to VGA and not the other way.



Product: **Appliance cables and connectors suitable for a wide range of Hatteland Technology products**

Type: **DSUB, DVI, DP, HDMI, Power, Serial, Adapters, BNC**

Last Revised: **14 Feb 2023**
Revision#: **16**

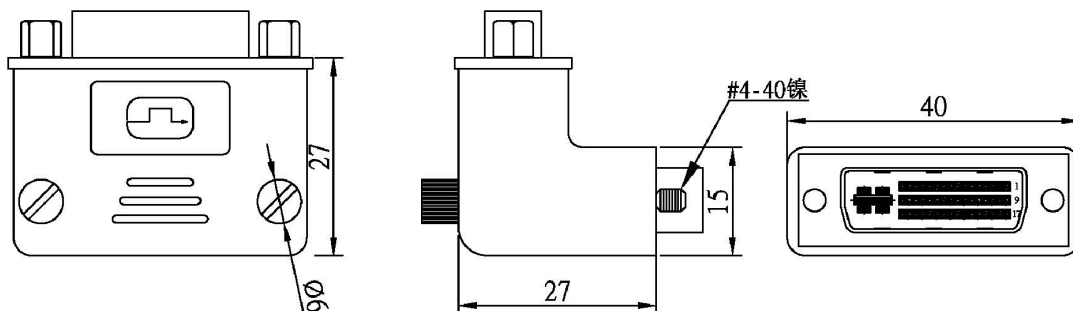
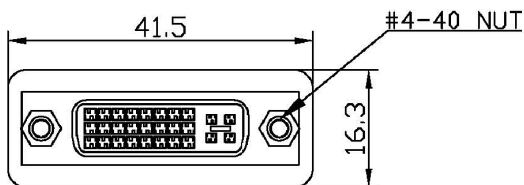
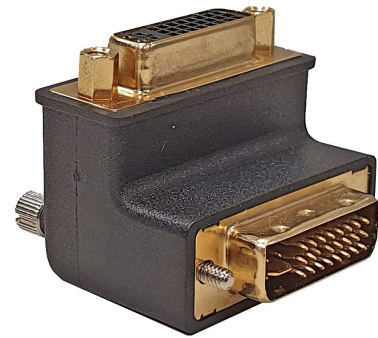
DVI-I Adapter:

Right Angled Adapter (90°) DVI-I Male to Female, all materials are RoHS compliant.

| DVI-I Male | | DVI-I Female |
|------------|-------|--------------|
| 1 | ----- | 1 |
| 2 | ----- | 2 |
| 3 | ----- | 3 |
| 4 | ----- | 4 |
| 5 | ----- | 5 |
| 6 | ----- | 6 |
| 7 | ----- | 7 |
| 8 | ----- | 8 |
| 9 | ----- | 9 |
| 10 | ----- | 10 |
| 11 | ----- | 11 |
| 12 | ----- | 12 |
| 13 | ----- | 13 |
| 14 | ----- | 14 |
| 15 | ----- | 15 |
| 16 | ----- | 16 |
| 17 | ----- | 17 |
| 18 | ----- | 18 |
| 19 | ----- | 19 |
| 20 | ----- | 20 |
| 21 | ----- | 21 |
| 22 | ----- | 22 |
| 23 | ----- | 23 |
| 24 | ----- | 24 |
| C1 | ----- | C1 |
| C2 | ----- | C2 |
| C3 | ----- | C3 |
| C4 | ----- | C4 |
| C5 | ----- | C5 |
| SHELL | ----- | SHELL |

Description

- Insulator Material: PBT, UL 94V-0
- Contact Material: Brass, Gold Plated over Nickel
- Shell Finish: Nickel Silver
- Overmold Material: PVC



This information may not, in whole or in part, be copied, photocopied, reproduced, translated or reduced to any electronic medium or machine-readable form without the prior written consent of Hatteland Technology AS. The products may not be copied or duplicated in any way.

Dimensions might be shown with or without decimals and indicated as mm [inches]. Tolerance on drawings is +/- 1mm. For accurate measurements, check relevant DWG file.

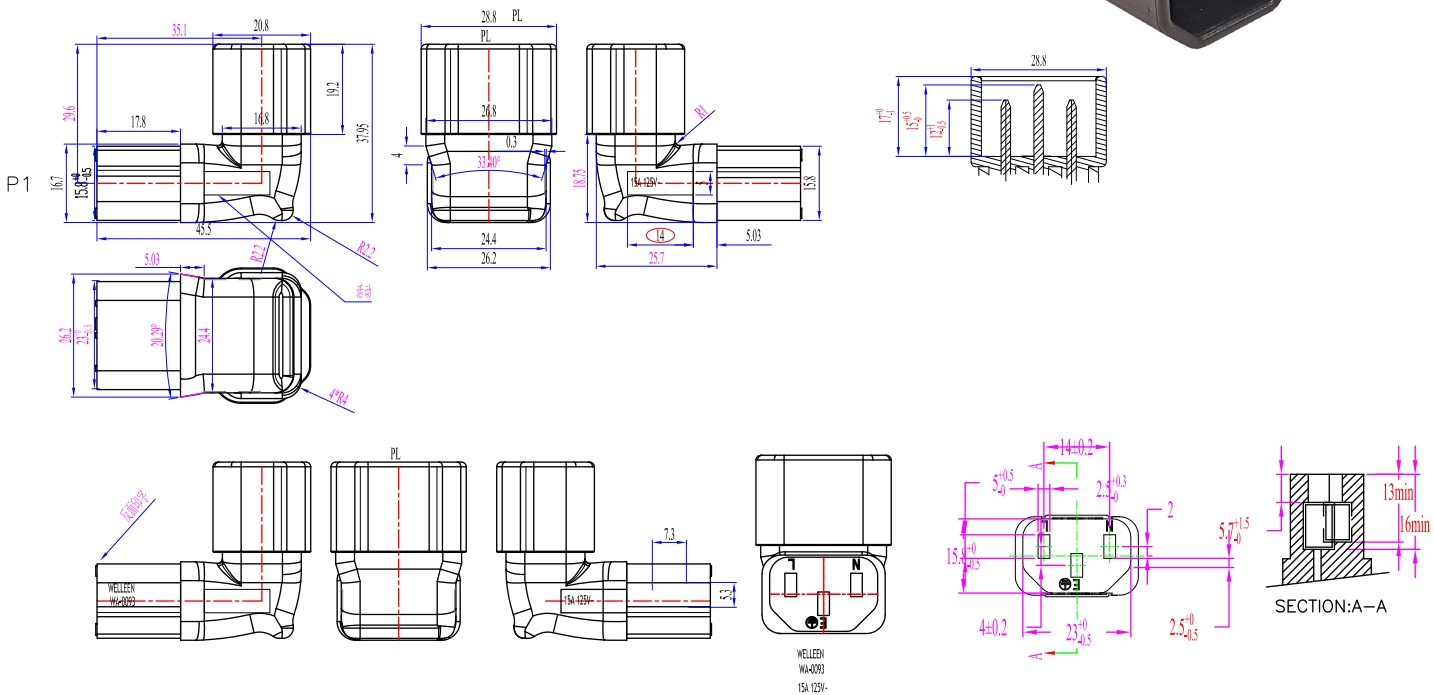
| | |
|----------|---|
| Product: | Appliance cables and connectors suitable for a wide range of Hatteland Technology products |
| Type: | DSUB, DVI, DP, HDMI, Power, Serial, Adapters, BNC |

| | |
|---------------|--------------------|
| Last Revised: | 14 Feb 2023 |
| Revision#: | 16 |

IEC Power Adapter:

Right Angled IEC Adapter, Down Angled IEC 320 C14 to C13 Adapter, all materials are RoHS compliant.

| Description |
|---|
| - IEC C14 MALE to IEC 320 C13 FEMALE DOWN ANGLE ADAPTER |
| - MOLDED TYPE |
| - RATED @ MAX 15A 125V |



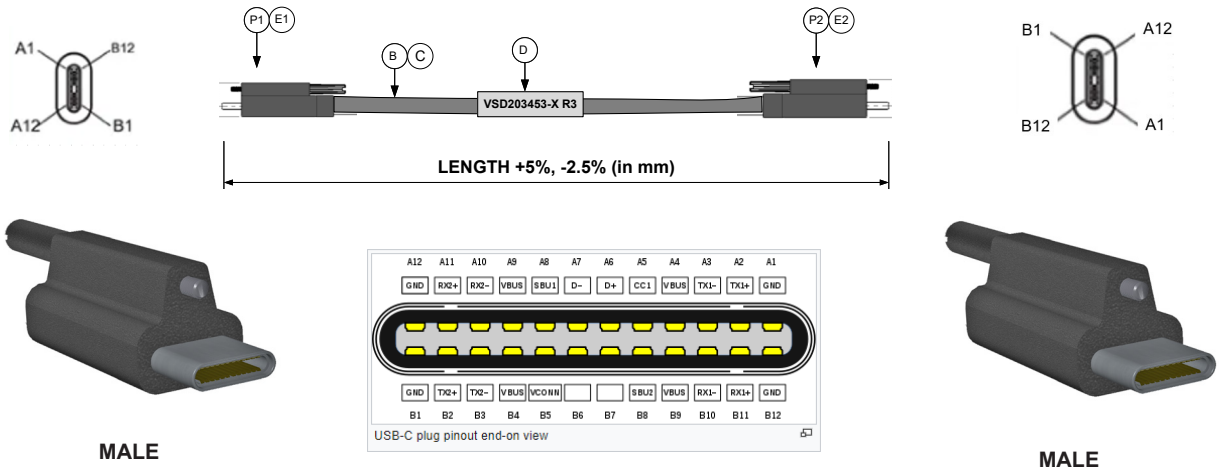
Product: **Appliance cables and connectors suitable for a wide range of Hatteland Technology products**

Type: **DSUB, DVI, DP, HDMI, Power, Serial, Adapters, BNC**

Last Revised: **14 Feb 2023**
Revision#: **16**

VSD203453-1:

2m USB-C external cable for 4K@24b@60Hz, USB-C Male to USB-C Male w/screw lock, all materials are RoHS compliant.



| Item | Description |
|------|--|
| P | 2 x Male - USB3.1 type C, molded PE, Gen 2 (10Gbit/s) with PCB (C1/C2 10nF), USB3.1 Type C/M |
| B | 16 x Cable, PVC jacket, [(32AWG*1P)+D+AI+HM]*4pcs + 32AWGx1P + 32AWGx4C + 26AWGx2C + AM + Braid. OD:4.8mm 80C, at 20V Min 60W, 3A or higher rated. |
| C | 1 x Shield, High Density triple metal shielding (min. 85%) |
| D | 1 x Label |
| E | 2 x M2 Locking, M2 Screw Single Row Locking Mold |

PIN ASSIGNMENT

